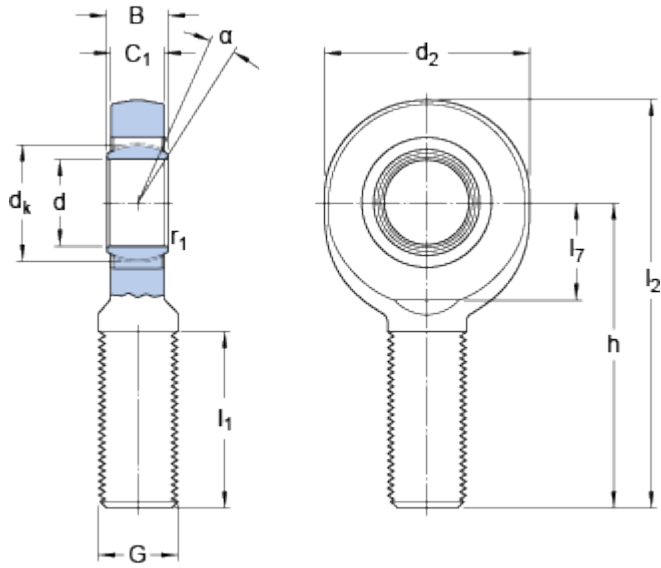


SA 15 C

Dimensions



d		15	mm
d ₂	max.	41	mm
B		12	mm
G		M 14	
C ₁	max.	10.5	mm
h		63	mm
α		8	°
d _k		22	mm
l ₁	min.	34	mm
l ₂	max.	85	mm
l ₇	min.	19	mm
r ₁	min.	0.3	mm

Calculation data

Basic dynamic load rating	C	18	kN
Basic static load rating	C ₀	28	kN
Specific dynamic load factor	K	100	N/mm ²
Material constant	K _M	1400	

Mass

Mass rod end	0.13	kg
--------------	------	----